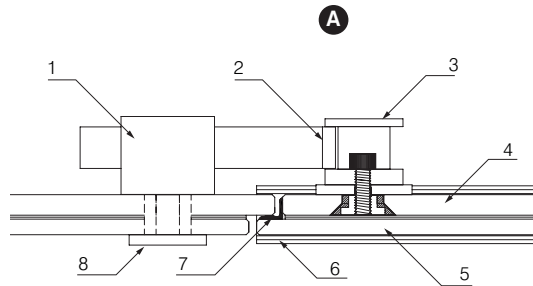


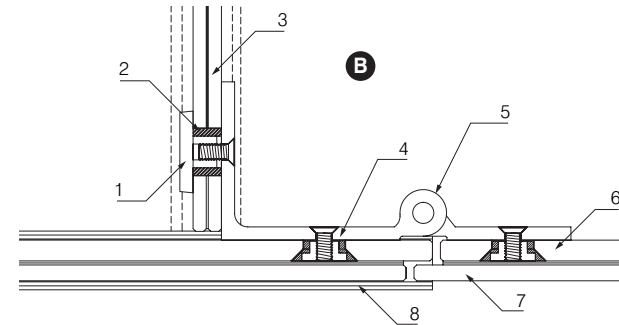
# CLOUD

## Technical



### A Cloud Lock Detail

- 1 - Lock body.
- 2 - Lock finger.
- 3 - Adjustable lock receiver.
- 4 - 8mm T & L, low iron glass.
- 5 - 6mm T & L, low iron glass.
- 6 - Adjustable floor channel.
- 7 - Protective door gasket.
- 8 - Indicator face plate.



### B Cloud Hinge Detail

- 1 - Decorative rosette.
- 2 - Adjustable nylon ferrel.
- 3 - 6mm x 6mm T & L, low iron glass.
- 4 - Concealed rosette.
- 5 - Hinge.
- 6 - 8mm T & L, low iron glass.
- 7 - 6mm T & L, low iron glass.
- 8 - Adjustable floor channel.



Door Lock



Door Stop

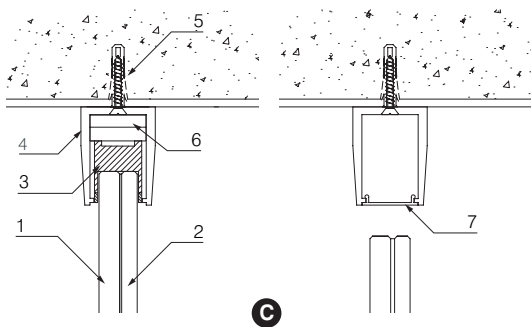


Door Hinge



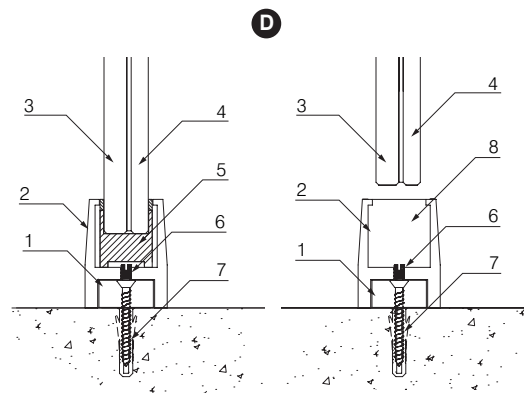
Head Rail





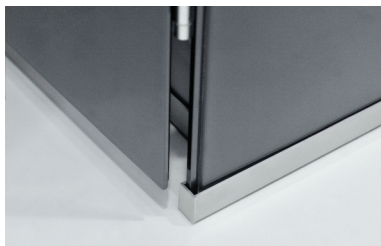
**C Cloud Ceiling Detail**

- 1 - 8mm T & L, low iron glass.
- 2 - 6mm T & L, low iron glass.
- 3 - PVC gasket.
- 4 - Ceiling channel.
- 5 - Anchor screw/plug (into ceiling).
- 6 - Foam protection tape.
- 7 - Clip in section (between door openings).



**D Cloud Floor Detail**

- 1 - Base profile.
- 2 - Adjustable floor channel.
- 3 - 8mm T & L, low iron glass.
- 4 - 6mm T & L, low iron glass.
- 5 - Glass protection layer.
- 6 - Adjustable screw.
- 7 - Fix down screw/plug (info floor).
- 8 - Channel endcap.



Floor Channel



Lock Indicator



Door Handle



Glass

**CLOUD**  
Technical

